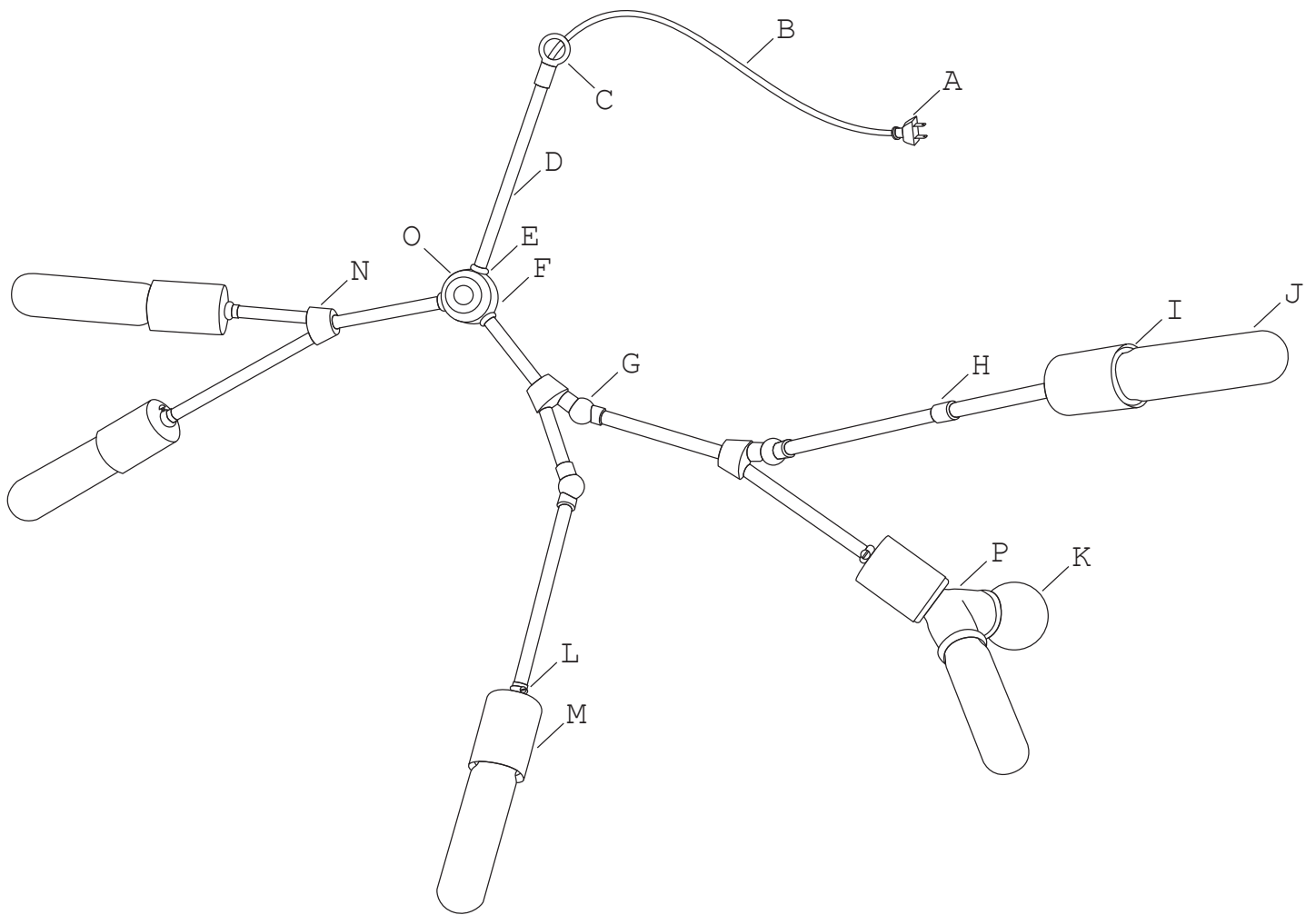


# PARTS NEEDED



Lindsey Adelman Studio  
232 Third Street #E3Bwest  
Brooklyn, NY 11215 - 718 954 6572  
info@lindseyadelman.com

To make this lamp you will need to buy these parts from the links below:

From grandbrass.com

- A. 1 plug - item # PL183PBK
- B. At least 12 feet of wire (2 feet + the distance between the closest plug and the lamp) - item # WI18POG
- C. 1 brass loop - item # LO111
- D. brass pipes, various lengths:
  - 2 brass pipes - item # PIBR07-0X8
  - 3 brass pipes - item # PIBR03-0X8
  - 1 brass pipe - item # PIBR05-0X8
  - 3 brass pipes - item # PIBR06-0X8
  - 2 brass pipes - item # PIBR04-0X8
- E. 3 nuts - item # NU430
- F. 1 cluster body - item # BOLG3
- G. 3 brass swivels - item # SV140
- H. 2 coupling bodies - item # NE449NP
- I. 5 sockets - item # SO10045
- J. 5 tubular bulbs - item # BUET10C40
- K. 1 globe bulb - item # BUEG16C40
- L. 5 slip rings - item # SR0-3/8
- M. 5 brass cups - item # CU578
- N. 3 brass cluster bodies - item # BOT2
  - 2 steel nipples - item # NI0-1/2X1/8 (not shown on the diagram)
  - 1 brass reducer - item # RE1/8FX1/4MS (not shown on the diagram)

From indexfasteners.com

- O. 2 plug buttons - item # SS48154K5900

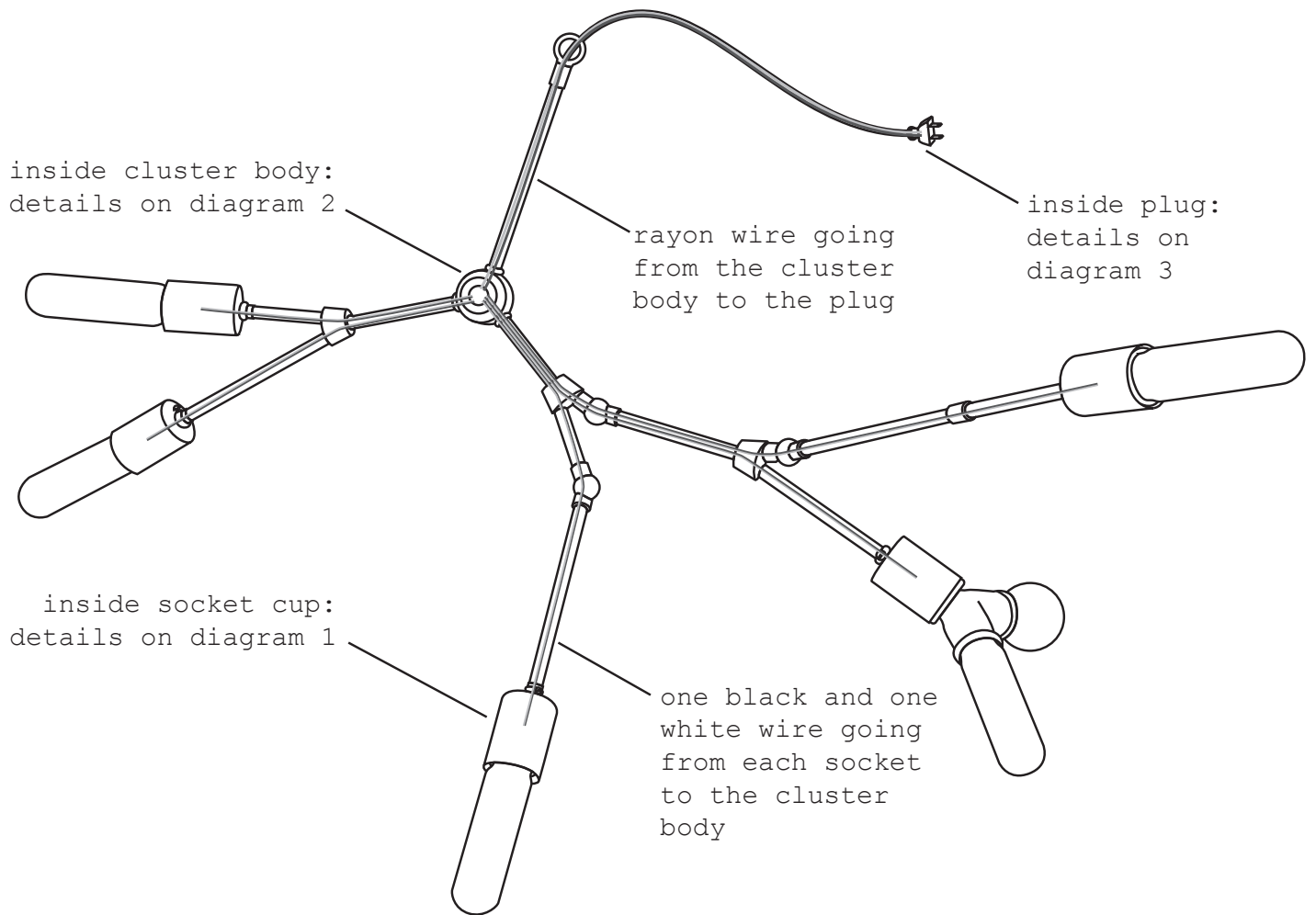
From amazon.com

- P. 1 twin socket adapter

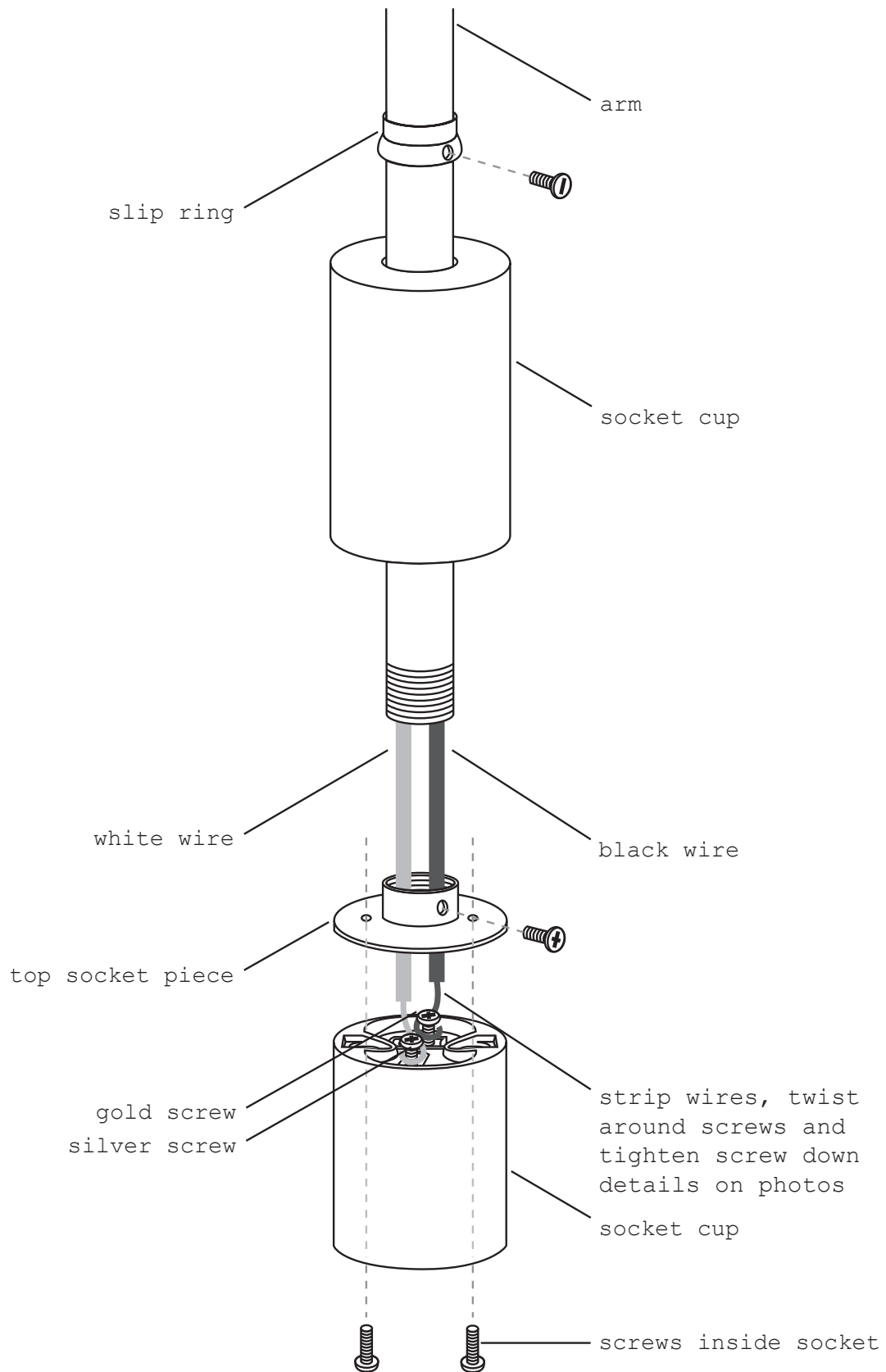
From mcmaster.com

- 1 box of wire connectors - item # 7108K32 (not shown on the diagram)
- 10 feet of white wire - item # 7587K138 (not shown on the diagram)
- 10 feet of black wire - item # 7587K133 (not shown on the diagram)
- 1 electrical tape - item # 76455A21 (not shown on the diagram)
- 1 wire stripper - item # 7660K14 (tool not shown on the diagram)

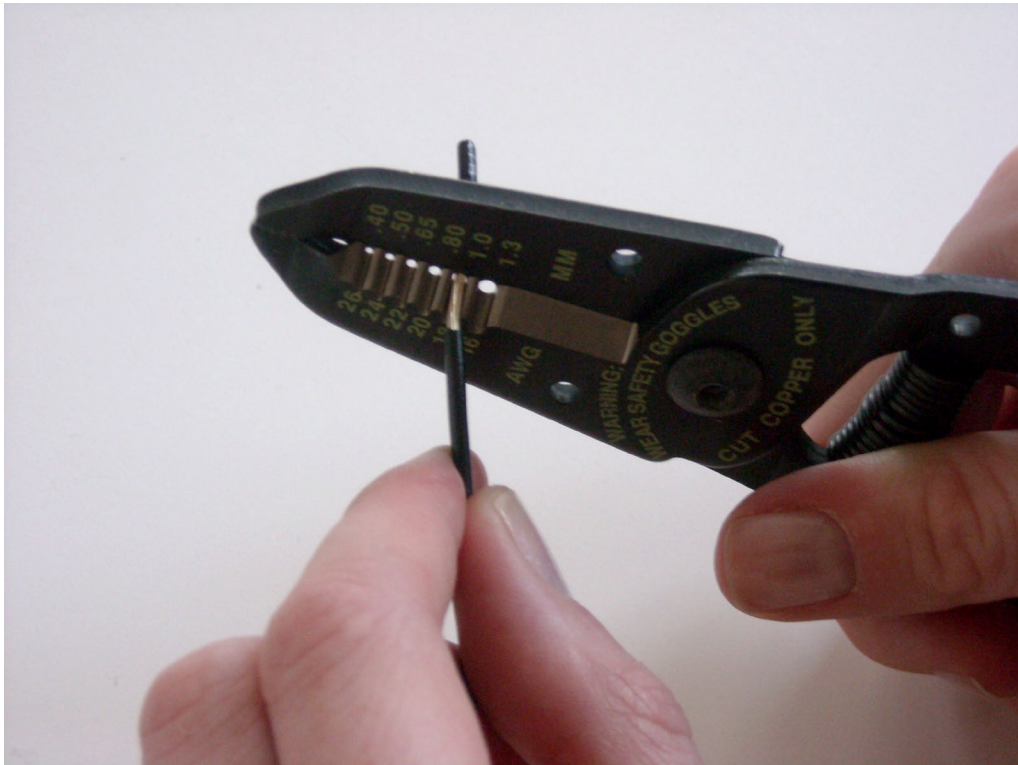
# HOW TO WIRE ?



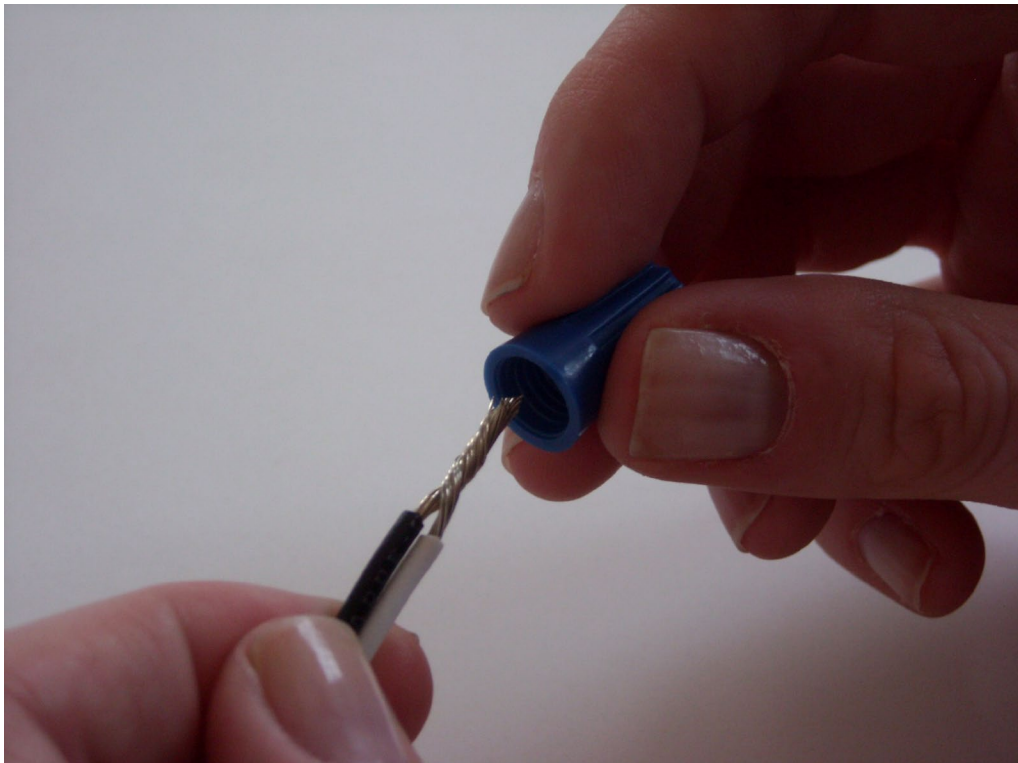
# DIAGRAM 1 - WIRING THE SOCKETS



Lindsey Adelman Studio  
232 Third Street #E3Bwest  
Brooklyn, NY 11215 - 718 954 6572  
info@lindseyadelman.com

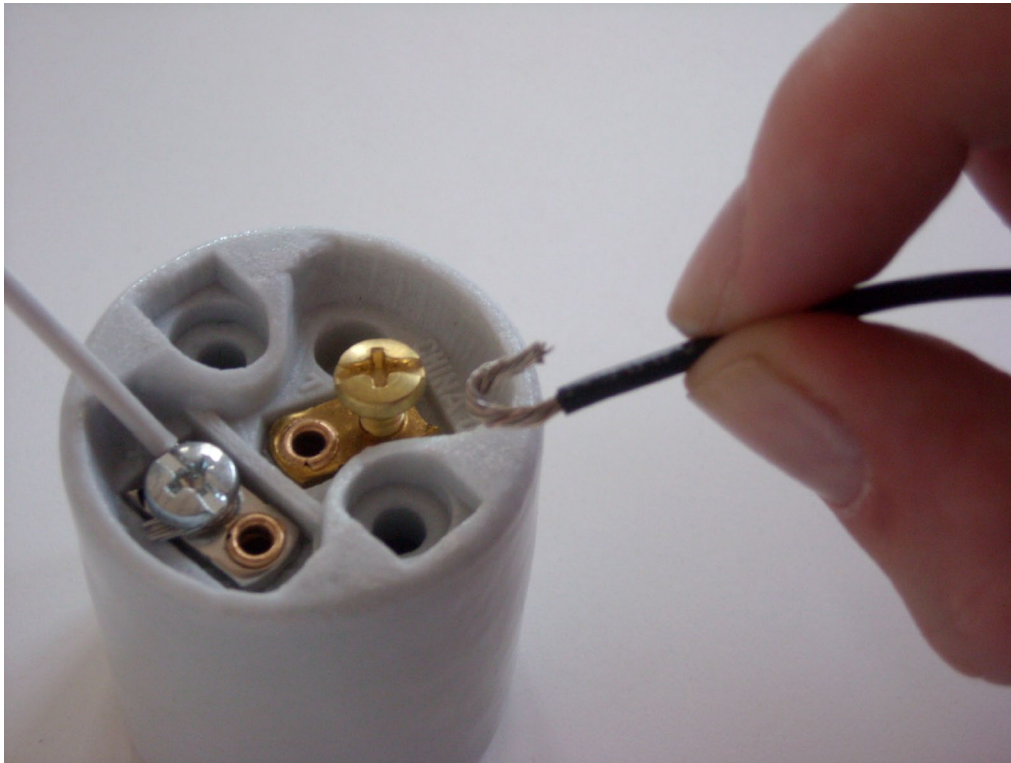


stripping wire

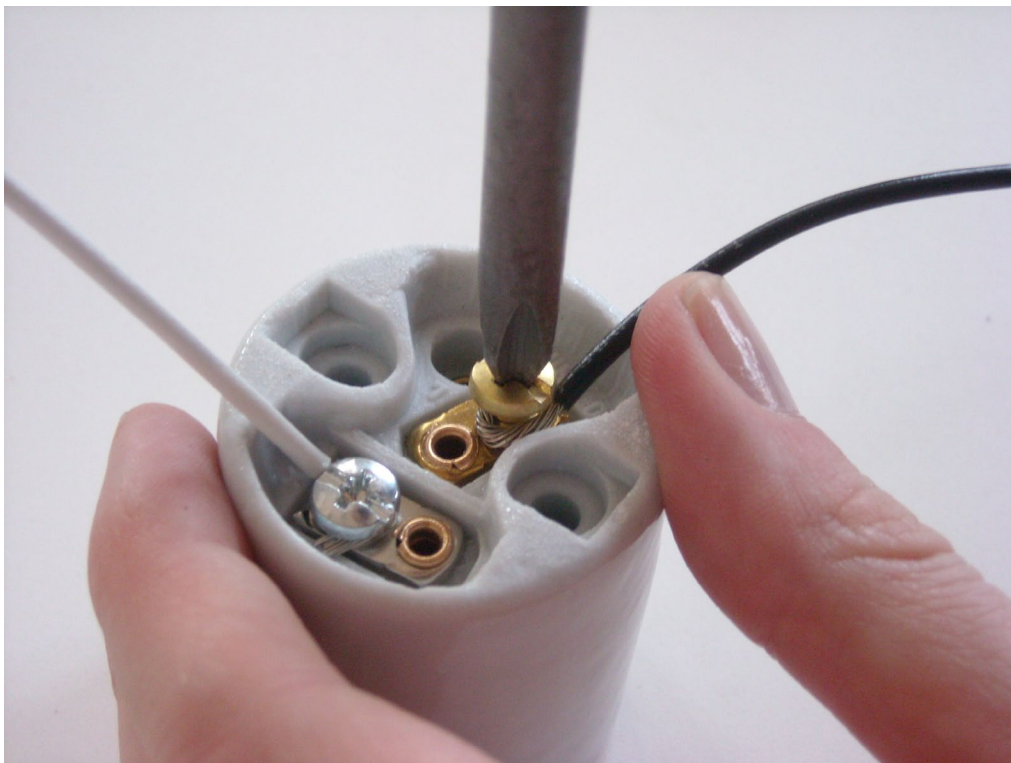


twisting wires and attaching wire nuts

Lindsey Adelman Studio  
232 Third Street #E3Bwest  
Brooklyn, NY 11215 - 718 954 6572  
info@lindseyadelman.com



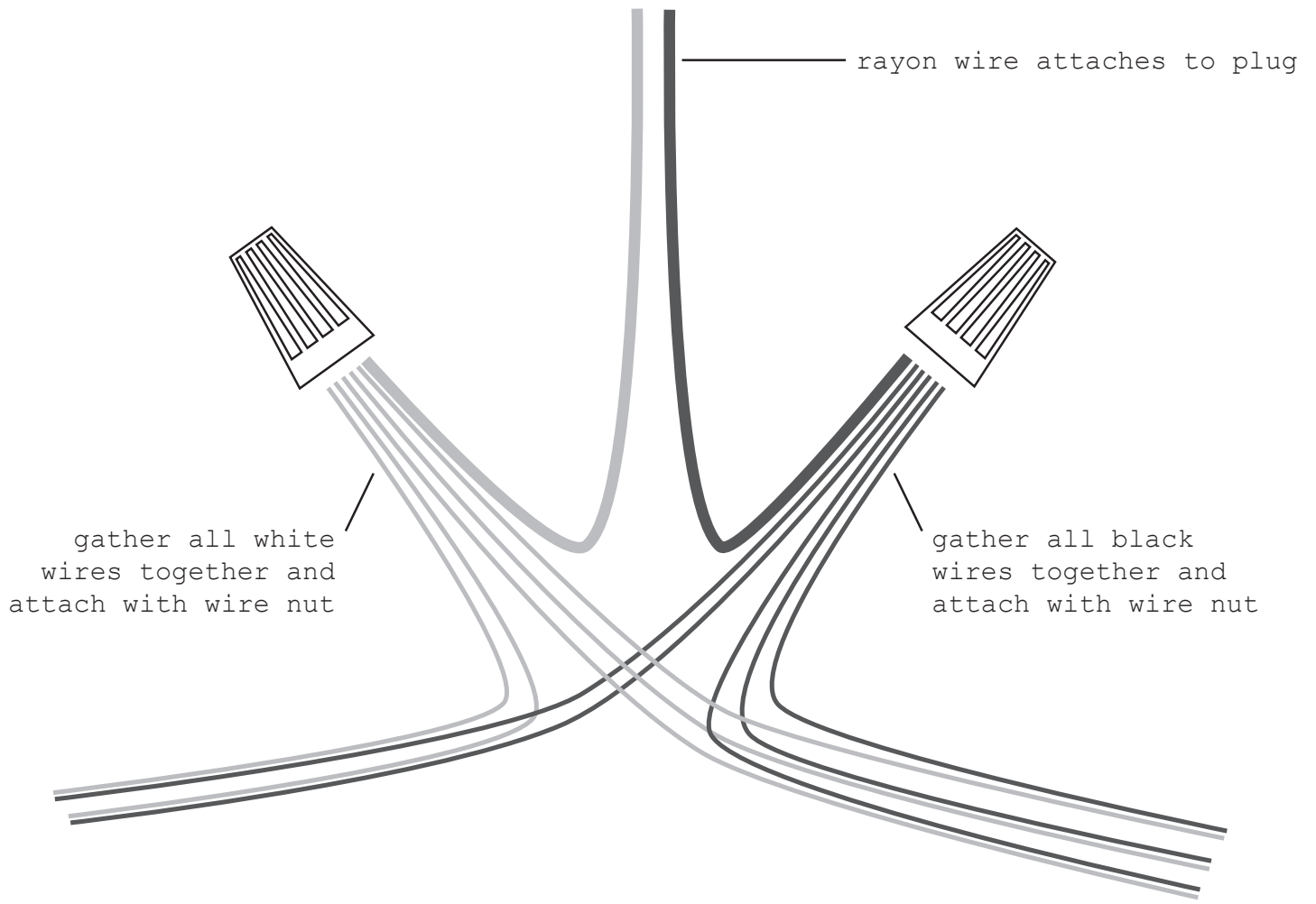
twisting wires around screws



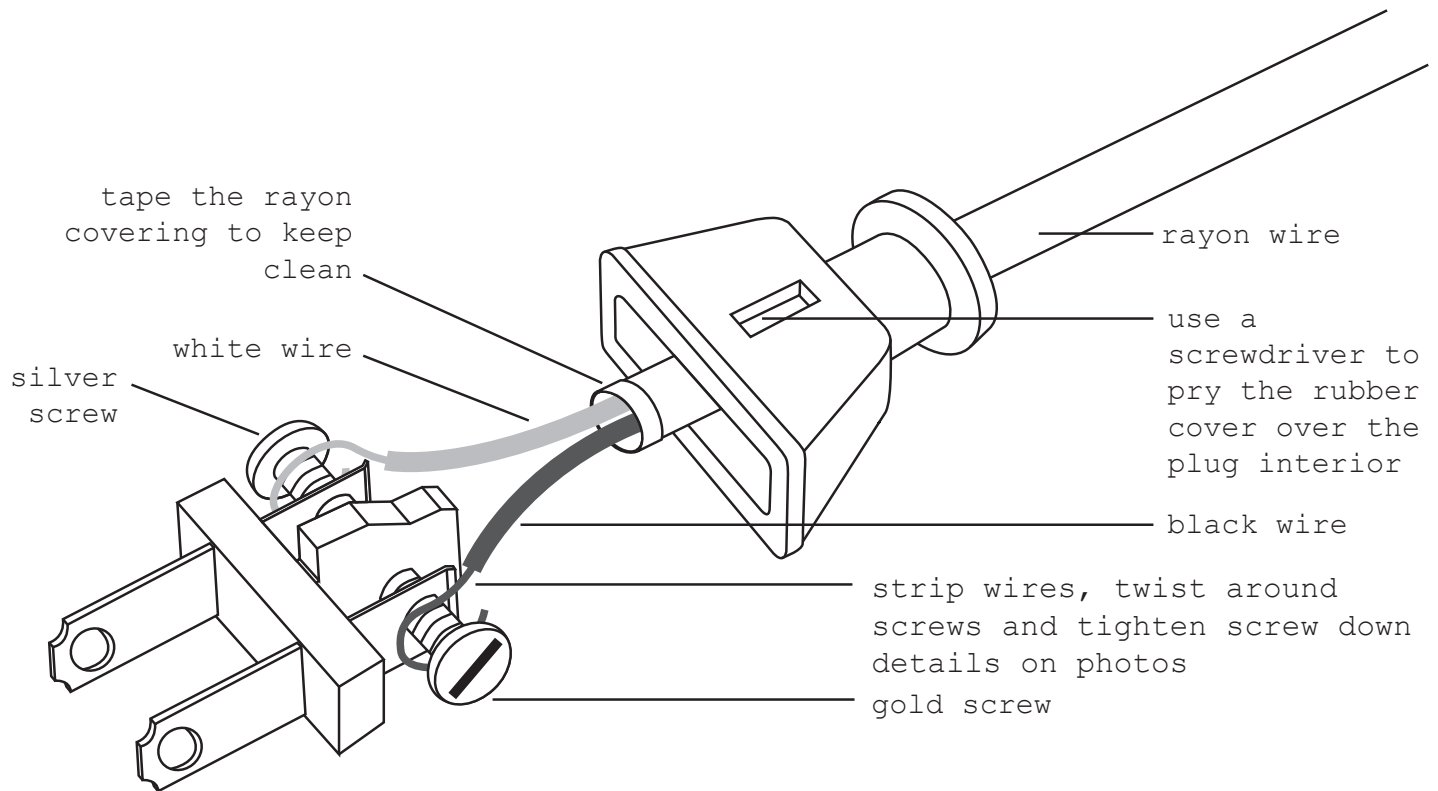
tightening screws to socket

Lindsey Adelman Studio  
232 Third Street #E3Bwest  
Brooklyn, NY 11215 - 718 954 6572  
info@lindseyadelman.com

# DIAGRAM 2 - INSIDE CLUSTER BODY



## DIAGRAM 3 - ATTACHING THE PLUG



Lindsey Adelman Studio provides this information solely as a guide, and cannot be held liable for any consequences whatsoever. DIY can go wrong, and it therefore must be stressed that nothing should be attempted without applying common sense, and only if you are confident in your ability to carry out the job with safety (both your own and others') and successfully. Please remember that this guide has been given to you in good faith for free, and neither its accuracy nor legality can be relied upon.